

Swing check valve Figure 205, DN40-DN300

Rensberg swing check valves Figure 205 are being used as non-return valves on mainly sewage pipelines. The design of this check valve allows silent closing and low pressure losses. In case this is required, the rubber-lined disc can be removed or replaced easily without dismantling the valve from the pipeline.

Features:



- Face to face according EN558-1 Series 48
- Flanged according to PN-EN 1092-2:1999
- 250µm Epoxy coating, 310µm on request
- Standard with stainless steel bolts
- Product of European Origin
- Disc coated with EPDM or NBR rubber
- No special maintenance required
- Standard with drain plug
- Both vertical and horizontal mounting possible

Article	Body	Sealing	Pressure	Lining	Temp. (°C)
Figure 205 / GGG-EPDM	Ductile iron GGG40	EPDM	PN10	Epoxy	-30°C/70°C
Figure 205 / GGG-NBR	Ductile iron GGG40	NBR	PN10	Epoxy	-10°C/70°C

Extra options:



Custom RAL colors

can be selected for the valve body and cover.



Drain valve

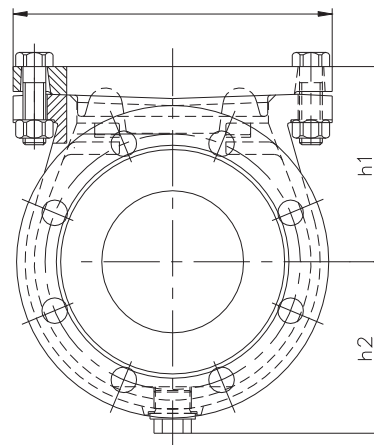
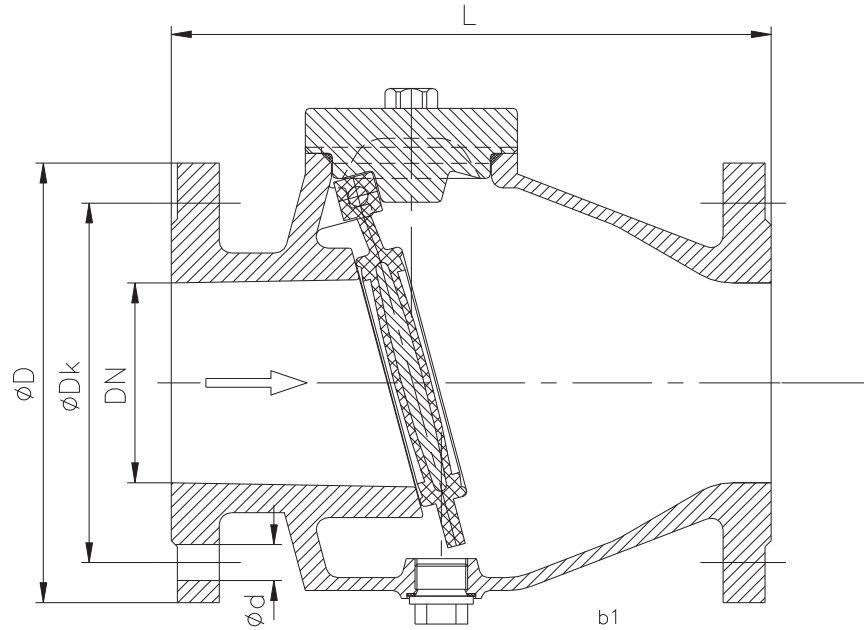
For easy draining or flushing of the pipeline.



Lifting device

Allows a bypass of the check valve in case of pipeline draining.

Swing check valve Figure 205, DN40-DN300



Item	Piece	Material
1	Body	Ductile iron GGG40
2	Cover	Ductile iron GGG40
3	Disc	EPDM covered NBR covered
4	Plug	Brass CuZn39Pb2
5	Gasket	EPDM NBR
6	Bolting	Stainless Steel A2

DN	PN	b1	h1	h2	L	ØD	ØDk	n	Ød	b	Weight(Kg)
40	PN16	164	100	90	180	150	110	4	18	18	11,0
50		164	100	90	200	165	125	4	18	20	14,0
65		186	111	98	240	185	145	4	18	20	17,0
80		200	125	105	260	200	160	8	18	22	21,0
100		225	140	125	300	220	180	8	18	24	29,0
125		304	175	157	350	250	210	8	18	26	42,0
150		340	195	155	400	285	240	8	22	26	60,0
200	PN10	400	251	205	500	340	295	8	22	30	92,0
250		464	290	230	600	405	350	12	22	32	145,0
300		504	312	255	700	455	400	12	22	32	175,0